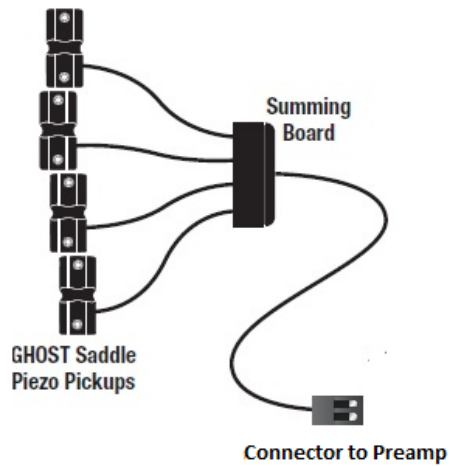


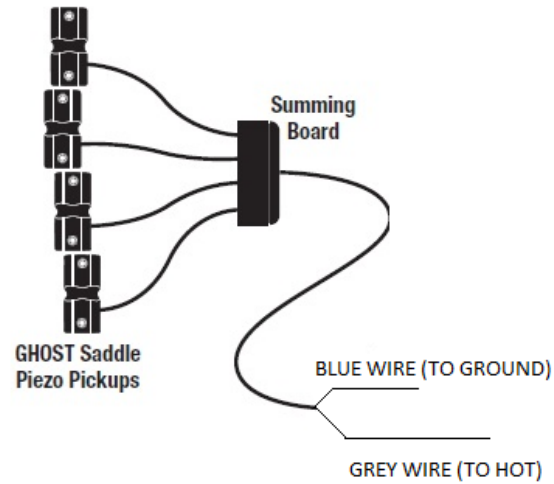
**A**

Graphtech Saddles w/ Summing Board  
(un-modified)



**B**

Graphtech Saddles W/ Summing Board (modified)



To modify, use small wire snippers and remove the connector from Summing Board, and expose the Blue Wire (to ground) and the Grey Wire (to hot). Blue and Grey wires may be soldered directly to Fishman Powerchip preamp- positions noted on Figure C.

**C**

Fishman Powerchip

